

# greasemaster3

**Greasemaster3** is purposely designed to provide grease to single line progressive distribution systems.

Grease is delivered through a unique filtration process which protects the system it feeds from contamination. Robust construction and heavy-duty pump station to power automatic grease systems on machines working in tough environments.

Grease up to NLGI 2\*\* are delivered to bearings in pre-determined ratios by means of **blocmaster** distribution blocks Blocmaster : <http://www.bignall.co.uk/masterlube/blocmaster.asp> .

Optional timer controls are available. GT3x/GT1x <http://www.bignall.co.uk/masterlube/greasecontrol.asp>

The timer adjusts the output of grease delivered by controlling the pump on and off time.

GT3x timers monitor system function using a micro-switch and alarm feature.

**Greasemaster3** may be filled by standard (54mm Dia.) grease cartridge or by hand grease gun.

## SPECIFICATION

Weight (Empty)	6.2Kg (5ltr Capacity)
Capacity	5Ltrs Nominal (7Ltr Available on Request)
Grease Specification**	Lithium NLGI 2**
Voltage	12v/24v dc Polarity Protected
Current	2A Max
Output Pressure	Adjustable up to 200bar***
Delivery	12v ~ 2.5cc / 24v ~ 6.0cc
Temperature Range	+40°C / -15°C
Filling	Grease Nipple / Cartridge Fill

## NOTE

- \*All tests carried out at ambient temp. to air
- \*\* <http://www.bignall.co.uk/masterlube/grease-recommendations.asp>
- \*\*\* Do not operate pump without 190 or 200 Bar pressure relief valve

On receiving the pump, fill the reservoir to within 15mm / 3/4" of the top of the reservoir tube with good quality grade II lithium base grease\*\*.

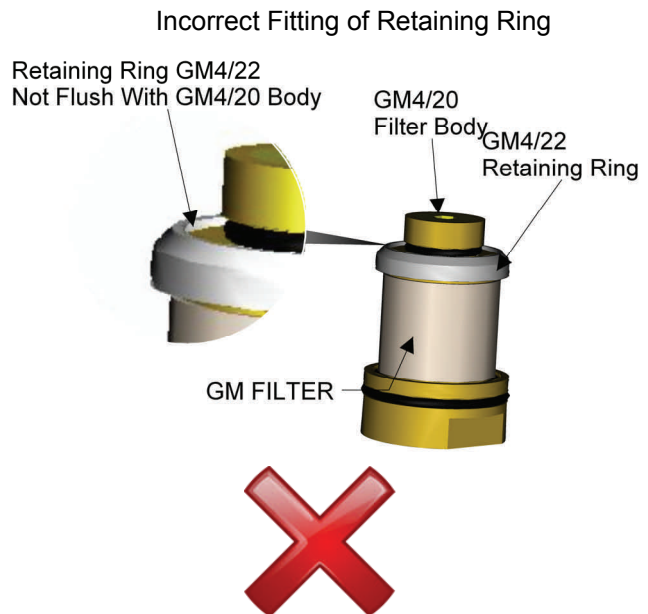
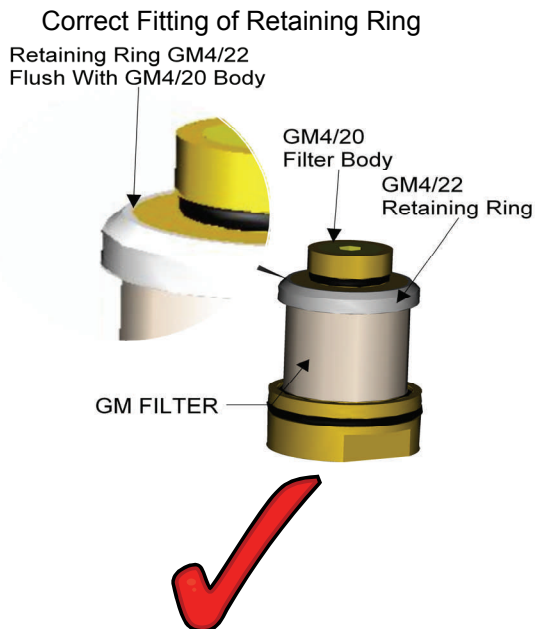
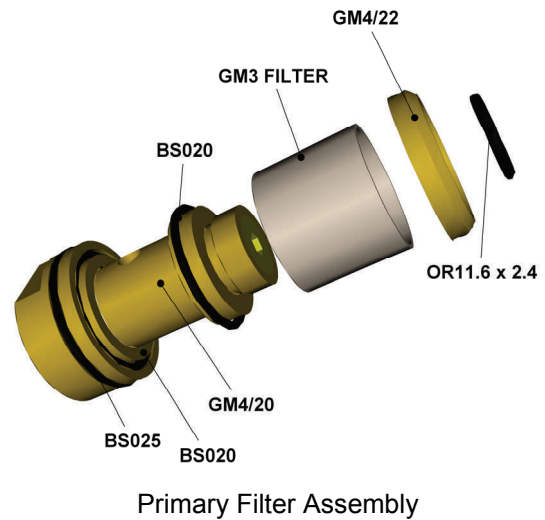
Connect the pump to a suitable power supply using suitable cable (**RED - POSITIVE +ve /BLACK - NEGATIVE -ve**). Ensure specification of cable is sufficient to prevent voltage loss along its length.

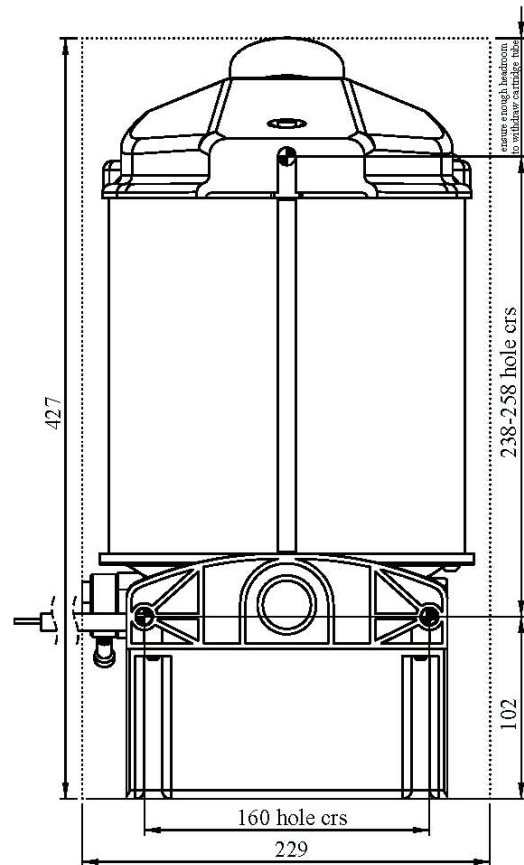
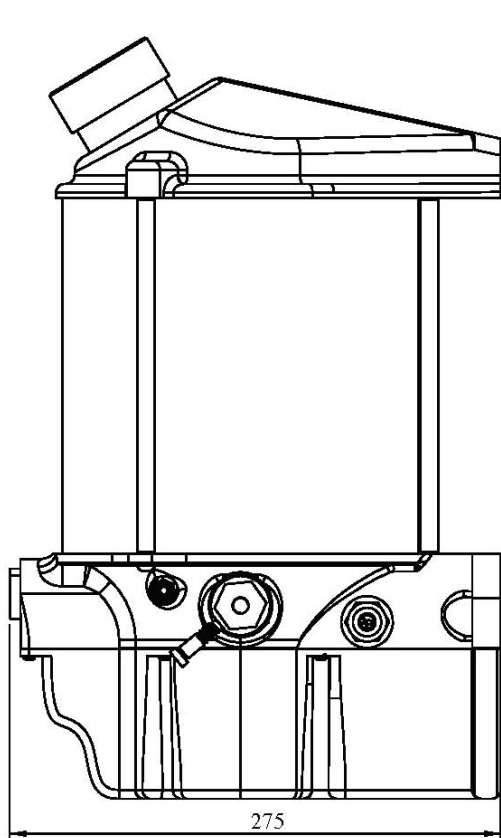
## MAINTENANCE

Fill the grease pump regularly and avoid long periods of running the pump empty. *Do not overfill*. Keep the reservoir tube clean on the outside so that levels can be observed. Clean the filter every 2500 hours of machine (not pump) operation. If contamination is noted, this period should be altered accordingly

## Filter Maintenance

1. Remove filter cartridge from base using a 1" A/F open ended Spanner / Adjustable Spanner
2. Unscrew Retaining Ring, remove GM3 Filter.
3. Wash the filter in a suitable solvent/Paraffin Bath and blow away any remaining debris if necessary. Replace the filter mesh if it is damaged with Part No. GM3 FILTER
4. Refit GM3 Filter.
5. Screw Retaining Ring onto housing. Ensure that the Retaining Ring is in correct position (See Diagram below.)
6. Refit Filter, *Do Not Over tighten*





### Spares Parts

Code	Description	Code	Description
9900278	12/24 v Motor Unit	GM4/12	GM3 Motor Cover
BLANK PLUG	GM3 Blank plug	GM4/16	GM3 impellor assembly
BS264	Reservoir O-ring	GM4/22	GM3 FILTER retaining ring
GM3 FILTER	GM3 FILTER Mesh	GM4/30	GM3 FILTER Cartridge assembly
GM3/10	Reservoir Pillar Rods (5 ltr) (3 per kit)	GRM/PE	GM3 pump element assembly
GM3/18	5 ltr Reservoir	GT1X	GT1X Cycle timer
GM3/28	GM3 Lid assembly complete	GT3X	GT3X Cycle timer and system monitor
GM3/29	Grease cartridge filler rod assembly	PRV190	Pressure Regulator Valve @ 190 BAR
GM3/32	Banjo Bolt Assembly	PRV200	Pressure Regulator Valve @ 200 BAR



Unit 15, Dabble Duck Ind. Est.  
 Shildon  
 Co. Durham  
 UK  
 DL4 2QN